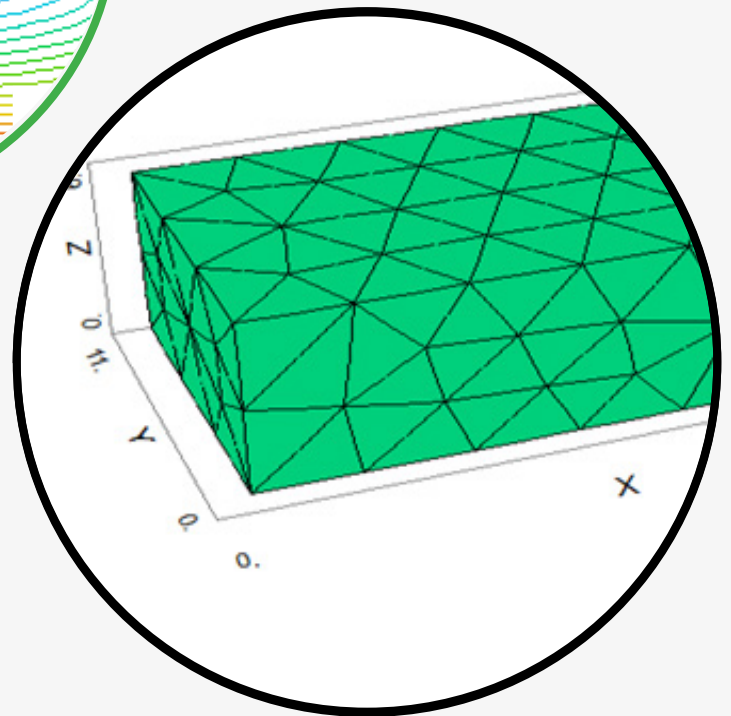
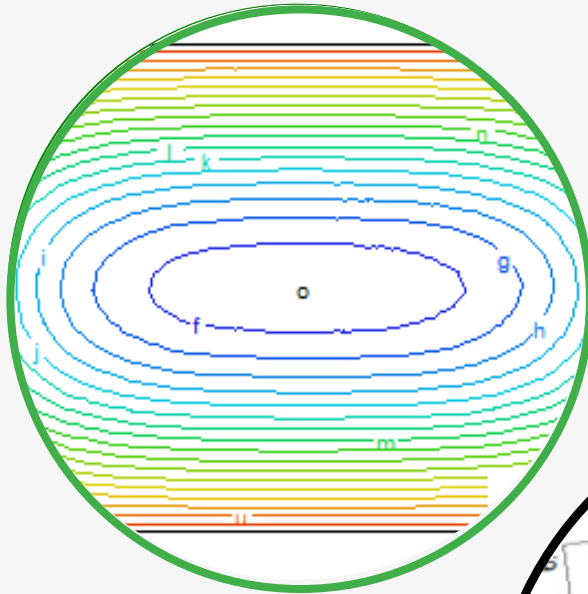


JOURNAL OF CASTING & MATERIALS ENGINEERING

QUARTERLY
Vol. 6 No. 2/2022



JCME